

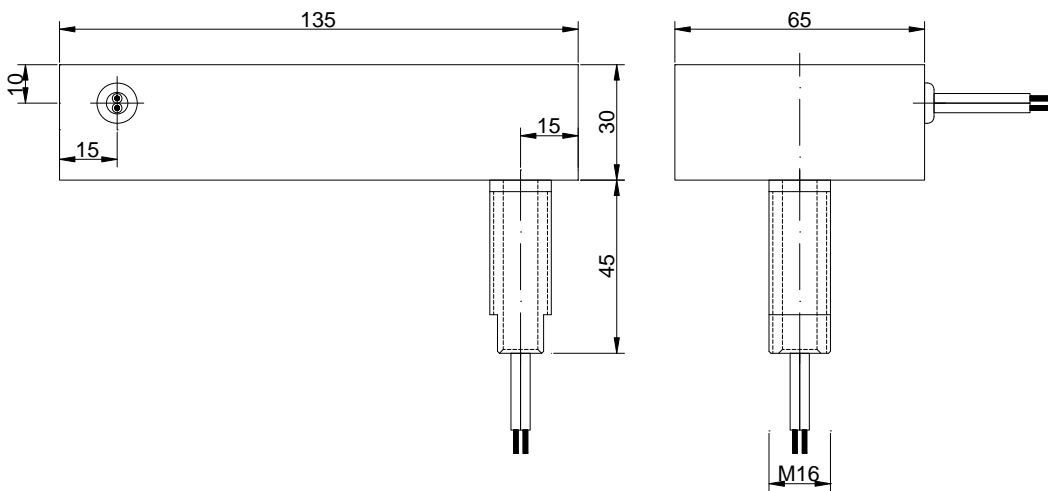
HM-SF-LAN8 规格书 (8 芯网线滤波器)

◆ 技术参数 Specification

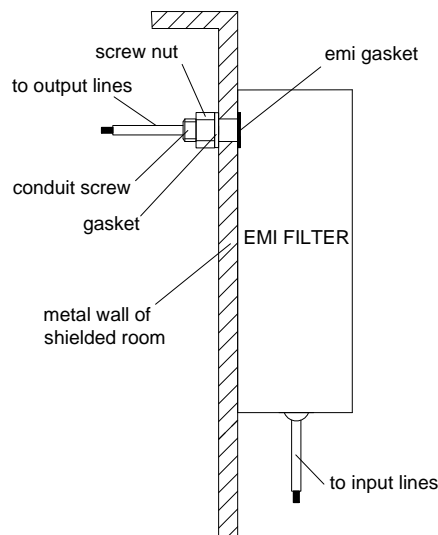
- ①Data Speed: 10Mb/s
- ②Insertion Loss: $\geq 100\text{dB}$, 100MHz~10GHz

◆ 外形尺寸 Dimension

Outline Drawing and Dimensions: (mm)



◆ Installation Sketch:



◆ 特点与应用 Features & Applications

工作频带宽，插入损耗高: Wide operating band, high insert loss

干扰抑制能力强: Strong ability for restrain interference

低压降，低漏电流: Low voltage drop, low leakage current

用于电磁屏蔽房、屏蔽柜、电子方舱、信息安全保密房、医院 CT、核磁共振房、可控硅变流设备、电源净化设备的电源端的滤波 Use for filter in electro-magnetic shielding room、shielding cabinet、electronic、square cabin、information security room、CT equipment of hospital、nuclear-magnetic、resonance room、SCR current converting equipment、power terminal of the equipment for power purification.